

United States Court of Appeals for the Federal Circuit

**SYNTHES USA, LLC (formerly known as Synthes
(U.S.A.)) AND DEPUY SYNTHES PRODUCTS, LLC,**
Plaintiffs-Appellants,

v.

SPINAL KINETICS, INC.,
Defendant-Cross Appellant.

2013-1047, -1059

Appeals from the United States District Court for the
Northern District of California in No. 09-CV-1201, Senior
Judge Ronald M. Whyte.

Decided: October 29, 2013

JEFFREY M. OLSON, Sidley Austin, LLP, of Los Angeles, California, argued for plaintiffs-appellants. With him on the brief was MATTHEW S. JORGENSEN. Of counsel on the brief was CONSTANTINE L. TRELA, JR., of Chicago, Illinois.

ROBERT W. DICKERSON, Dickstein Shapiro, LLP, of Irvine, California, argued for defendant-cross appellant. With him on the brief were ALLAN W. JANSEN, CHARLES A. KERTELL, EHAB M. SAMUEL and MARK A. STIRRAT. Of

counsel was JAMES W. GERIAK, Sheppard Mullin Richter & Hampton, LLP, of Costa Mesa, California.

Before PROST, O'MALLEY, and TARANTO, *Circuit Judges*.

Opinion for the court filed by *Circuit Judge* O'MALLEY.

Dissenting opinion filed by *Circuit Judge* TARANTO.

O'MALLEY, *Circuit Judge*.

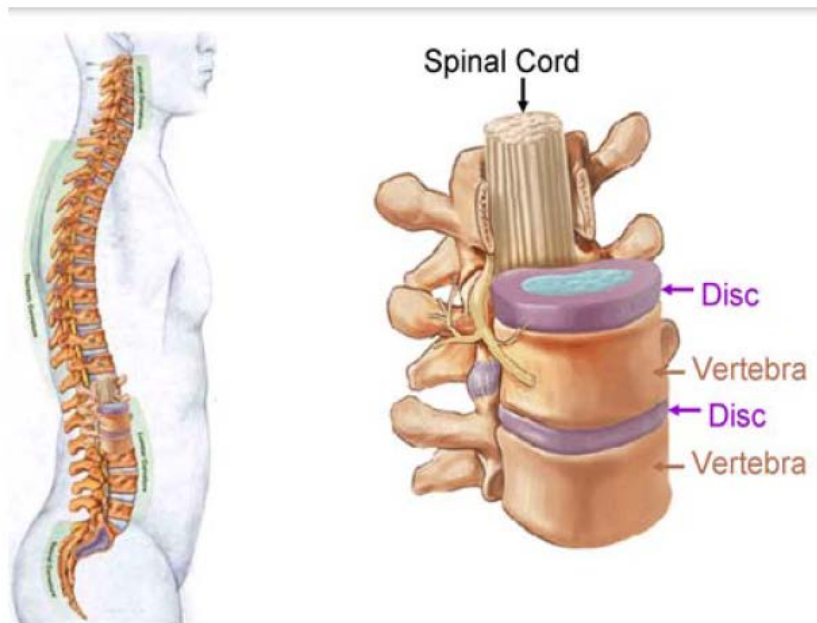
Synthes USA, LLC and DePuy Synthes Products, LLC (collectively, "Synthes")¹ appeal from a jury verdict finding that Spinal Kinetics, Inc. ("SK") did not infringe claims 29–31 ("asserted claims") of U.S. Patent No. 7,429,270 ("the '270 patent") and that the claims were invalid for lack of written description. SK cross-appeals contending that the district court erred in denying SK's motion for fees under 35 U.S.C. § 285. Both appeals are timely, and we have jurisdiction under 28 U.S.C. § 1295(a)(1). For the reasons below, we *affirm* the jury verdict of invalidity for lack of written description and *affirm* the district court's denial of SK's request for attorneys' fees.

¹ During the pendency of the district court proceedings through final judgment and at the time the present appeal was docketed, the patent-in-suit was assigned to Synthes. After briefing on this appeal was completed but before oral argument, the patent-in-suit was assigned to DePuy Synthes Products, LLC ("DePuy"). To reflect that change, DePuy was added as an appellant in this case and the caption was modified to reflect that addition. See *Synthes USA, LLC v. Spinal Kinetics*, 13-1047, ECF No. 48 (Fed. Cir. July 3, 2013).

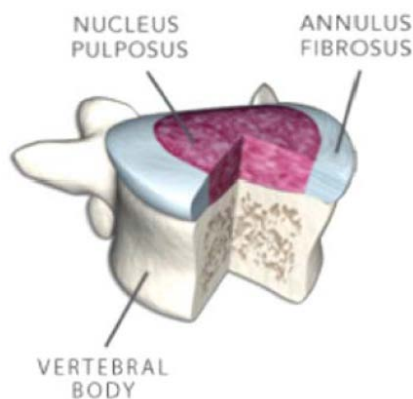
I. BACKGROUND

A. The '270 Patent and Accused Devices

Synthes filed this action alleging that SK's M6-C and M6-L intervertebral implants infringed claims 29–31 of the '270 patent. *See Synthes (USA) v. Spinal Kinetics, Inc.*, 5:09-cv-1201-RMW, ECF No. 1 (N.D. Cal. Nov. 12, 2008). The '270 patent originated from a German language PCT application filed on April 14, 2003. The asserted claims were added by amendment on February 19, 2008. The '270 patent is directed to an "Intervertebral Implant," which is a prosthetic device designed to replace a diseased or degenerated disc located between adjacent vertebrae of the human spine:



A healthy disc (depicted below) has a fibrous, outer band called the annulus fibrosus, which surrounds a central, gel-like substance called the nucleus pulposus:



A natural disc provides shock-absorbing functions and helps maintain proper spacing, stability, and motion within the spine. Artificial discs attempt to replace some or all of these functions. Claim 29, the independent claim from which claims 30 and 31 depend, provides:

29. An intervertebral implant for implantation between an upper and lower vertebrae, the implant having a central axis, the implant comprising:

a first substantially rigid bone contacting plate having an external surface extending generally transversely to the central axis for contacting at least a portion of the upper vertebra;

a second substantially rigid bone contacting plate having an external surface extending generally transversely to the central axis for contacting at least a portion of the lower vertebra;

a third plate operatively coupled to the first bone contacting plate, the third plate including a plurality of openings;

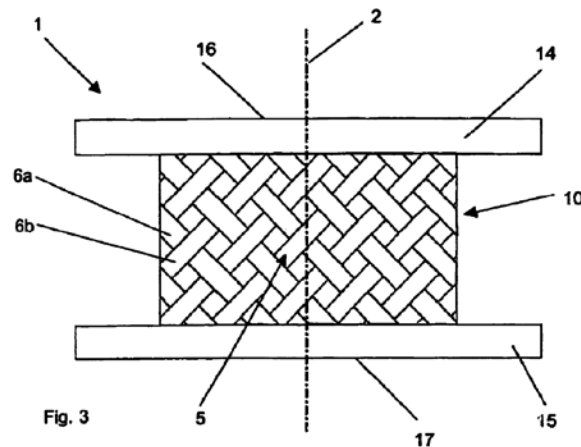
a fourth plate operatively coupled to the second bone contacting plate, the fourth plate including a plurality of openings;

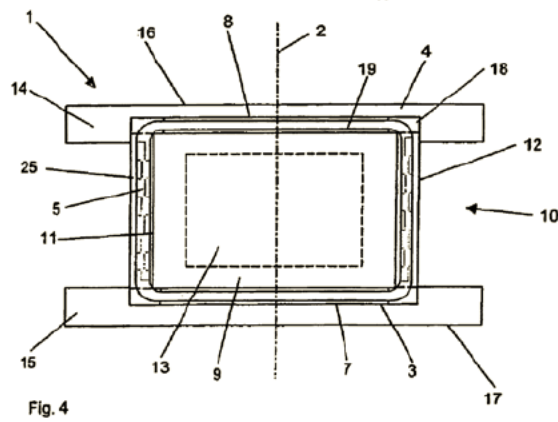
a central part substantially located between the third and fourth plates, the central part including a flexible core and a fiber system, wherein the core is substantially cylindrical and includes a top surface and a bottom surface, the top surface of the core being in contact with the third plate and the bottom surface of the core being in contact with the fourth plate, and wherein the fiber system at least partially surrounds the core, and is at least partially received within the plurality of openings formed in the third and fourth plates so that the fiber system is joined to the third and fourth plates; and

an elastic sheathing body at least partially surrounding the fiber system and the core, and connected to the third and fourth plates.

'270 patent, col. 8, ll. 19–48.

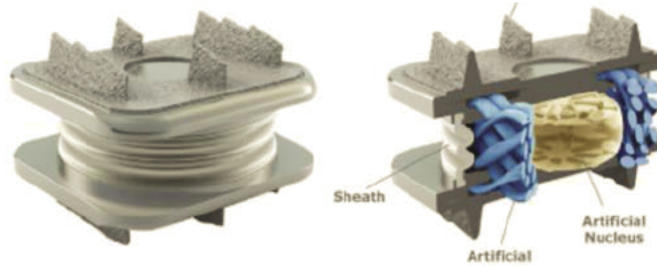
Claim 30 requires that the first and second bone contacting plates recited in claim 29 be made from titanium or titanium alloy. *Id.* at col. 8, ll. 49–51. Claim 31 requires the fiber system recited in claim 29 to be constructed of an “ultra high molecular weight polyethylene material.” *Id.* at col. 8, ll. 52–54. According to Synthes, claims 30 and 31 stand or fall with claim 29. The main features of claim 29 are depicted in Figures 3 and 4 of the '270 patent:



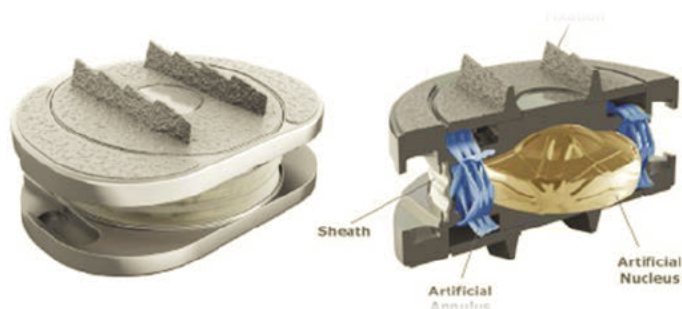


SK manufactures the M6-C (cervical) and M6-L (lumbar) discs in California and sells them abroad. The United States Food and Drug Administration has not approved the M6 devices for sale in this country. The M6-C and M6-L are depicted below:

M6-C



M6-L

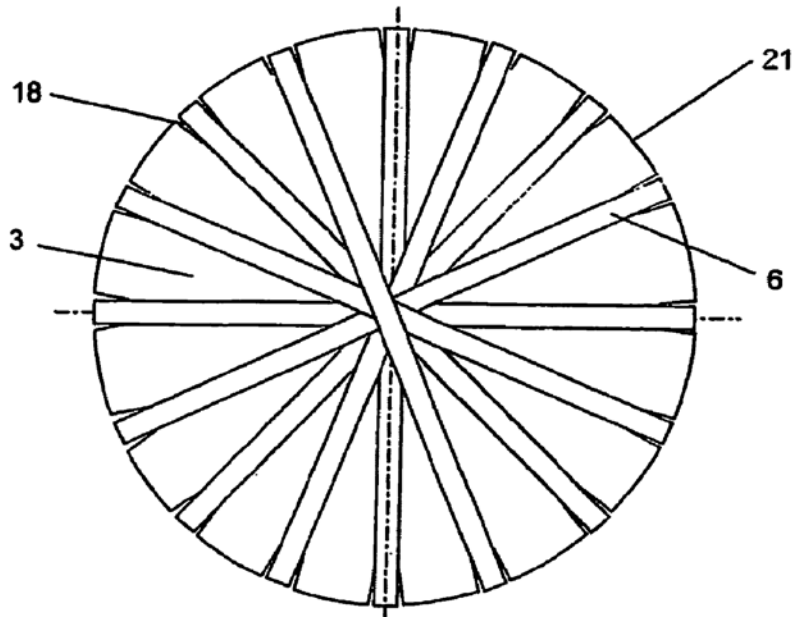


Except for the shape of the cores, the M6-C and M6-L are identical for purposes of this litigation.

B. Proceedings Below

During the course of the litigation, the district court construed a number of terms contained in claim 29 of the '270 patent. Of particular relevance to the current appeal is the court's construction of the phrase "the third plate including a plurality of openings."² *Synthes*, ECF No. 84 (N.D. Cal. June 23, 2010). SK argued that "plurality of openings" should be limited to grooves on the circumference of the claimed cover plates. *Id.* SK's argument was predicated on its contention that the written description of the '270 patent does not describe a structure with holes or slots in the cover plates, but only describes grooves on the circumference of the cover plate that radially penetrate into the lateral surface of the plate. *Id.* Those grooves are depicted as element 18 in Figure 2 of the '270 patent:

² Claim 29 recites that both the third and fourth plates include a "plurality of openings." *See* '270 patent, col. 8, ll. 19–48. The court's claim construction of the phrase applied to both limitations, but for ease of reference we only recite the third plate.

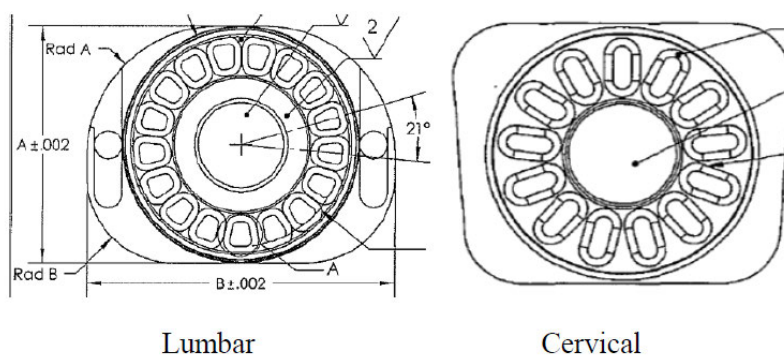


See '270 patent, col. 5, ll. 11–13.

Synthes, on the other hand, contended that the claim was not so limited, and urged the court for a broader construction: “a third plate including two or more openings.” *Id.* While the district court did not adopt Synthes’ construction wholesale, it did side with Synthes regarding the breadth of the phrase and construed it as “the third plate including two or more openings to allow the fiber system to be joined or anchored to that plate.” *Id.* The court concluded that claim 29 requires openings in the cover plates, or third and fourth plates, which make it possible for the claimed fiber system to be joined or anchored to the plates. *Id.*

The importance of the “plurality of openings” limitation to Synthes’ infringement case is evident when viewed in light of the accused devices. SK devices do not employ

peripheral grooves, but instead use slots, or openings, on the cover plates. The M6 lumbar device uses trapezoidal slots, while the cervical device uses elongated circle slots:



Joint Appendix (“J.A.”) at 24515; 24172. According to SK, Synthes amended the application that led to the ’270 patent during prosecution to add claims 29–31 only after the M6 devices were on the market and Synthes was advised that SK’s M6 devices were a significant improvement in the technology. See J.A. at 20676; 25947.

After the court construed the disputed terms of the patent, it entertained motions for summary judgment. The district court granted Synthes’ motions dismissing SK’s enablement, indefiniteness, and utility defenses, but denied Synthes’ motion to dismiss SK’s written description and best mode defenses. See *Synthes*, ECF No. 298 (N.D. Cal. Aug. 19, 2011). The parties proceeded to trial on the remaining issues. After hearing all of the evidence, followed by four days of deliberation, the jury concluded that SK’s M6 devices did not infringe the asserted claims of the ’270 patent and that SK proved by clear and convincing evidence that claim 29, and consequently claims 30 and 31, were invalid for a lack of written description support. See *Synthes*, ECF No. 497 (N.D. Cal. Dec. 13, 2011).

Synthes then moved the district court for judgment as a matter of law (“JMOL”) or new trial as to literal infringement and invalidity, among other things. *Id.* SK moved for attorneys’ fees, among other things. *Id.* The district court denied Synthes’ motion for JMOL or new trial as to literal infringement, but granted-in-part Synthes’ motion regarding invalidity for lack of written description. *See Synthes*, ECF No. 577 (N.D. Cal. Sept. 27, 2012). According to the district court, the jury found the ’270 patent invalid for lack of written description on four claim limitations: (1) “plate including a plurality of openings”; (2) “wherein the core is substantially cylindrical”; (3) “flexible core”; and (4) “substantially rigid bone contacting plate.” *Id.* Synthes argued that SK failed to produce substantial evidence as to all four. *Id.* The district court agreed with Synthes that SK failed to carry its burden on “substantially cylindrical core” and “substantially rigid bone contacting plate.” *Id.* The court affirmed the jury verdict, however, on “plate including a plurality of openings” and “wherein the core is substantially cylindrical.” *Id.* The court also denied SK’s motion for attorneys’ fees under 35 U.S.C. § 285. *Id.* Synthes then filed this appeal and SK cross-appealed.

II. DISCUSSION

The district court found substantial evidence supported the jury verdict that the term “plate including a plurality of openings” lacked written description support, rendering the asserted claims invalid. The district court also concluded that SK failed to demonstrate that it was entitled to attorneys’ fees. We agree with the district court on both counts. Consequently, we find the remaining issues on appeal moot.

A. Legal Standard

We review the denial of JMOL or request for a new trial after a jury verdict under the same standard of review as the trial court. *Lucent Techs., Inc. v. Gateway*,

Inc., 580 F.3d 1301, 1309 (Fed. Cir. 2009) (citing *Wechsler v. Macke Int'l Trade, Inc.*, 486 F.3d 1286, 1290 (Fed. Cir. 2007)). The grant or denial of JMOL is a procedural issue not unique to patent law; therefore, we apply the law of the relevant regional circuit. *Id.* (citing *Summit Tech., Inc. v. Nidek Co.*, 363 F.3d 1219, 1223 (Fed. Cir. 2004)). The Ninth Circuit reviews denial of JMOL de novo. *First Nat'l Mortg. Co. v. Fed. Realty Inv. Trust*, 631 F.3d 1058, 1067 (9th Cir. 2011) (citing *Lakeside-Scott v. Multnomah Cnty.*, 556 F.3d 797, 802 (9th Cir. 2009)). We must draw all reasonable inferences in favor of the jury's verdict, and the evidence is viewed in the light most favorable to the non-moving party. *Id.* The jury's "verdict will be upheld if it is supported by substantial evidence, 'even if it is also possible to draw a contrary conclusion.'" *Id.* at 1067–68 (quoting *Pavao v. Pagay*, 307 F.3d 915, 918 (9th Cir. 2002)).

1. Written Description

The district court, at Synthes' urging, broadly construed the phrase "third plate including a plurality of openings," which appears in claim 29. The relevant claims, moreover, include broad language added during prosecution. Synthes amended the application that became the '270 patent to add the concept of "openings" in claim 29 almost five years after the application was originally filed, and after SK's M6 devices were already on the market. *See* J.A. at 20676; 25157–25179. The original disclosure claimed and disclosed a plurality of grooves and a plurality of channels, but did not describe "openings" generally. *See id.* While broadening claims during prosecution to capture a competitor's products is not improper, the written description must support the broadened claims. *See Liebel-Flarsheim Co. v. Medrad, Inc.*, 358 F.3d 898, 909 n.2 (Fed. Cir. 2004) ("[I]t is not improper for an applicant to broaden his claims during prosecution in order to encompass a competitor's products, as long as the disclosure supports the broadened

claims.”) (citing *Kingsdown Med. Consultants, Ltd. v. Hollister, Inc.*, 863 F.2d 867, 874 (Fed. Cir. 1988)). After hearing the testimony of SK’s expert, Dr. Lee, and its research and development manager, Mr. Koske, indicating that the as-filed disclosure did not demonstrate possession of an intervertebral implant that employed *any sort* of openings *anywhere* on the cover plates, the jury determined that the ’270 patent was invalid under § 112, paragraph 1. As the district court did before us, we find that substantial evidence supports that conclusion.

Section 112, paragraph one of Title 35 requires a patentee to provide a written description that allows a person of skill in the art to recognize that the patentee invented what is claimed.³ See *Ariad Pharms., Inc. v. Eli Lilly & Co.*, 598 F.3d 1336, 1351 (Fed. Cir. 2010) (en banc) (citing *Vas-Cath Inc. v. Mahurkar*, 935 F.2d 1555, 1562–63 (Fed. Cir. 1991)). “[T]he test for sufficiency is whether the disclosure of the application relied upon reasonably conveys to those skilled in the art that the inventor ha[d] possession of the claimed subject matter as of the filing date.” *Id.* Determination of whether a patent satisfies the written description requirement is a question of fact. *Id.* (citing *Capon v. Eshar*, 418 F.3d 1349, 1357–58 (Fed. Cir. 2005)). The “level of detail required to satisfy the written description requirement varies depending on the nature and scope of the claims and on the complexity and predictability of the relevant technology.” *Id.*

Synthes contends that the jury’s verdict of invalidity for a lack of adequate written description was not supported by substantial evidence. Synthes asserts that the ’270 patent’s written description does not limit the

³ Congress recently changed the language and structure of 35 U.S.C. § 112. See Leahy-Smith America Invents Act, PUB. L. NO. 112-29. Those amendments made no changes of relevance to this appeal.

claimed “plurality of openings” to peripheral grooves. Synthes next argues that the testimony and evidence presented by SK via its expert and fact witnesses regarding the “plurality of openings” limitation did not support the jury’s verdict. Synthes also disputes the district court’s post-trial conclusion that SK produced evidence demonstrating that the field of intervertebral implants was sufficiently unpredictable such that a disclosure of one species of openings would not be enough to claim the entire genus. We disagree on all counts.

The ’270 patent’s written description, filed on April 14, 2003, discloses that the fiber system may be anchored by various means. *See* ’270 patent, col. 2, ll. 4–6. The written description then discloses a series of examples of how the fiber system may be anchored on the cover plates, i.e., third and fourth plates. All of these examples employ “grooves,” not slots or openings on the plates. *See e.g.*, ’270 patent, col. 3, ll. 22–26 (describing anchoring the fiber system “through grooves and over the external surfaces of the cover plates from one groove to another one”); *id.*, col. 3, ll. 32–34 (anchoring the fiber system by using “a wedge-shaped construction of the grooves”); *id.*, col. 3, ll. 36–41 (describing the cover plates as comprising “a lateral surface [with] grooves distributed on the circumference and radially penetrating into the lateral surfaces”); *id.*, col. 5, ll. 10–14 (disclosing an embodiment wherein the cover plates have “grooves distributed on the circumference and radially protruding into the lateral surfaces”); *id.*, col. 5, ll. 65–67 (describing an embodiment with the fiber system “anchored on the cover plates by means of grooves”). Claims 29–31 recite a “plurality of openings” used to “join” or “anchor” the fiber system to the cover plates, which Synthes contends supports any type of openings located anywhere on the plates. The written description, however, never discloses anything broader than using grooves to anchor the fiber system to the cover plates.

The parties appear to agree that “grooves” are a species of “opening,” but do not agree that “grooves” constitute an adequate disclosure to claim *all* openings that may be used in the cover plates to anchor the fiber system. In other words, the jury was asked to determine whether the written description disclosure of “grooves” “reasonably convey[ed] to those skilled in the art that the inventor had possession of [an intervertebral implant that could utilize *any sort of opening located anywhere* on the cover plates to anchor the fiber system] as of the filing date.” *Ariad*, 598 F.3d at 1351. The jury did not believe so and, when all reasonable inferences are drawn in favor of the jury verdict, we must affirm that decision.

SK presented testimony regarding the plurality of openings limitation via its expert, Dr. Lee, and its research and development manager, Mr. Koske. Dr. Lee testified, based on his experience in designing total disc replacements, that a person of ordinary skill in the art would not believe that Synthes had possession of an intervertebral implant utilizing openings located anywhere on the cover plates based on the disclosure of peripheral grooves in the written description. In particular, Dr. Lee testified that: (1) based on his reading of the written description, the disclosure of peripheral grooves would not disclose openings located anywhere on the plates (*see* J.A. 20843–54, Tr. Transcript, Jan. 20, 2011 at 2453:24–2455:7); (2) there are significant biomechanical property differences between using peripheral grooves and interior slots (*see id.* at 2456:11–20); and (3) when the fiber system is attached via peripheral grooves, the distance of the fibers to the central axis is limited, but when openings are used anywhere on the cover plates, the fibers are not so limited in proximity to the central axis of the device (*see id.* at 2456:21–2458:10).

Mr. Koske buttressed Dr. Lee’s testimony that, based on his direct experience developing the accused products, the process of moving from peripheral grooves to internal

slots is not a simple substitution, but a careful and time-consuming task. Mr. Koske, for example, testified that SK rejected early prototypes that used peripheral grooves on the cover plates. See J.A. 20757–58, Tr. Transcript, Nov. 20, 2011, 2076:21–2078:20. Mr. Koske was presented with a photograph of various SK devices, which he described as a “design time line” of M6 devices. See J.A. 20757, Tr. Transcript, Nov. 20, 2011, 2075:16–24; J.A. 27122 (DX1106). Mr. Koske then testified that the “early prototypes” with peripheral grooves were repeatedly rejected. See 20757–78, Tr. Transcript, Nov. 20, 2011, 2077:11–2081:3. Mr. Koske’s testimony and attendant trial exhibits demonstrated that SK’s development process from the peripheral grooves to the commercial products took months of work. See, e.g., J.A. 24054–56 (SK meeting minutes from September 2003 describing M6 devices in development process); J.A. 24122–42 (SK presentation from December 2003 illustrating design history of the M6 devices); J.A. 20758, Tr. Transcript, Nov. 20, 2011, 2081:4–12 (Koske testimony regarding April 2004 slide show depicting design of M6 at the time).

Mr. Koske also testified that SK had to overcome technical hurdles through its development process, one of which was to reduce wear on the device. Because the devices may be used on people in their 20s and 30s and would be required to last a lifetime, wear was an important consideration in design choice. See J.A. 20736, Tr. Transcript, Nov. 29, 2011, 1991:15–1993:3. In particular, Mr. Koske stated that the *shape* of the slots on the cover plates played a role in wear reduction. Mr. Koske explained that, because the metal cover plates are very thin, if the slots were too large, it would increase the risk of the cover plates breaking. See J.A. 20737, Tr. Transcript, Nov. 29, 2011, 1996:10–1997:12. SK, therefore, had to determine the precise size and location of the slots to ensure that the cover plates used as little metal as

possible, reduced fiber wear, and still performed all of the necessary functions of the device. *Id.*

Taken together, Mr. Koske's testimony is at least circumstantial evidence that it would not be evident that peripheral grooves on the cover plates would disclose to skilled artisans that internal slots would serve the same function. Mr. Koske's testimony and the exhibits used during it, coupled with Dr. Lee's testimony, provided ample evidence for the jury to conclude that the written description did not support the broad claim limitations in the asserted claims.

Synthes contends that the difference Dr. Lee identified is "specious." Rather than provide contrary evidence, however, Synthes points to a very curt cross-examination wherein Dr. Lee agreed with Synthes' counsel that deeper grooves—or grooves cut deeper into the cover plates—might reduce the distance of the fibers from the central axis. J.A. at 20889; Tr. Transcript, Dec. 5, 2011, 2601:16–23. Synthes' cross-examination, however, does not address any of Dr. Lee's other points. And, even if Synthes' cross-examination of Dr. Lee would allow *us* to draw a different conclusion, so long as substantial evidence supported the jury's verdict, we must affirm its decision. *See First Nat'l Mortg. Co.*, 631 F.3d at 1067–68; *see also Guy v. City of San Diego*, 608 F.3d 582, 588 (9th Cir. 2010) ("[I]t has long been held that a jury may properly refuse to credit even uncontradicted testimony.") (citations omitted); *Watec Co. v. Liu*, 403 F.3d 645, 651 n.5 (9th Cir. 2005) ("We will not weigh the evidence or assess the credibility of witnesses in determining whether substantial evidence exists.") (citations omitted).

Synthes also attempts to minimize the relevance of Mr. Koske's testimony by contending that his testimony was not directed to differences between using peripheral grooves and internal slots. Mr. Koske, however, testified that the shape and size of the slots, and the optimization

of those slots, were important design considerations. And, while Synthes is correct that Mr. Koske did not use “magic words” to explain why SK chose internal slots instead of peripheral grooves, the jury was free to draw its own conclusions from Mr. Koske’s testimony. Coupled with Dr. Lee’s expert testimony on the “plurality of openings” limitation, the jury’s verdict that a person skilled in the art would not understand that a disclosure of peripheral grooves would teach that *any and all* openings on the cover plates are disclosed is supported by substantial evidence.

The jury was entitled to rely on the above testimony and evidence to conclude that the ’270 patent’s written description does not support the broad plurality of openings limitation. Written description is a factual question, and whether the requirement is met “varies depending on the nature and scope of the claims and on the complexity and predictability of the relevant technology.” *Ariad*, 598 F.3d at 1351. While the predictability of the “aspect at issue” is not the dispositive factor in determining whether the written description requirement is satisfied, the district court relied on it, and Synthes strenuously disputes the district court’s conclusion. We, thus, briefly address it. *Id.*

Synthes frames the “aspect at issue” as “the shape and locations of openings used to join or anchor a fiber system to a plate.” Synthes’ Reply Brief at 46. As chronicled above, Dr. Lee testified that the difference between peripheral grooves and internal slots would present significant engineering and design choices and maintained that the differences between the two designs would present substantial biomechanical differences. Mr. Koske also explained that SK itself began its development process with peripheral grooves and ended with internal slots. Mr. Koske’s testimony also indicated that the shape of the internal slots was an important design choice that

required testing to account for wear on the fiber system. All of this testimony was un rebutted.

Based on this evidence, the jury was free to conclude that, because the '270 patent's written description does not disclose anything other than peripheral grooves, there would be significant biomechanical differences between using peripheral grooves and internal slots. The jury was also free to determine that SK's skilled artisans made a specific design choice to change its first prototype with peripheral grooves to *specifically shaped and located* internal slots. And, the jury was free to conclude, based on the evidence, that the use of internal slots for these devices was not predictable.

SK is correct that a "disclosure of a species *may be* sufficient written description support for a later claimed genus including that species." *Bilstad v. Wakalopulos*, 386 F.3d 1116, 1124 (Fed. Cir. 2004) (emphasis added). But, as we stated in *Bilstad*:

[i]f the difference between members of [a species] is such that [a] person skilled in the art would not readily discern that other [species] of the genus would perform similarly to the disclosed members, i.e., if the art is unpredictable, then disclosure of more species is necessary to adequately show possession of the entire genus.

Id. at 1125. In other words, predictability is a factual issue judged on a case-by-case basis. Here, SK presented its case to the jury, and the jury inferred that, in the field of intervertebral implants, the disclosure of peripheral grooves does not adequately demonstrate possession of the entire genus of possible openings. Because the jury's verdict is supported by substantial evidence, we must defer to that finding.

Synthes contends that, because we remarked in *Bilstad* that the "mechanical world" is a "fairly predicta-

ble field,” SK had to satisfy a heightened burden to demonstrate unpredictability. *See Bilstad*, 386 F.3d at 1126. First, SK had no higher burden than providing clear and convincing evidence that the ’270 patent does not satisfy the written description requirement on the “plurality of openings” limitation. Second, while we did state in *Bilstad* that the mechanical field was “fairly predictable,” we did *not* hold that *all* inventions that may be characterized as “mechanical” allow claiming a genus based on disclosure of a single species.

As we noted in *Ariad*, there are no “bright-line rules governing, for example, the number of species that must be disclosed to describe a genus claim, as this number necessarily changes with each invention, and it changes with progress in a field.” *Ariad*, 598 F.3d at 1351. Indeed, factual inquiries will, at times, create confounding results. But, whatever inconsistencies may appear “to exist in the application of the law, those inconsistencies rest not with the legal standard but with the different facts and arguments presented to the courts.” *Id.* at 1352. That is precisely the situation here. After hearing all of the testimony and evidence, the jury resolved the facts in favor of SK and determined that it had met its burden of proving by clear and convincing evidence that the ’270 patent did not satisfy the written description requirement. Again, we are not entitled to disturb that finding when there was substantial evidence to support it.

2. Exceptional Case

Attorneys’ fees may be awarded to the prevailing party in “exceptional cases.” 35 U.S.C. § 285. The exceptional nature of a case must be established by clear and convincing evidence. *Brooks Furniture Mfg., Inc. v. Du-tailier, Int’l Inc.*, 393 F.3d 1378, 1382 (Fed. Cir. 2005). Absent litigation misconduct, sanctions may be imposed only if: (1) the litigation is brought in subjective bad faith, and (2) the litigation is objectively baseless. *Id.* at 1381.

In deciding whether a case is exceptional, trial courts are to consider the “totality of the circumstances” surrounding not just the initial allegations of infringement, but the maintenance of those claims throughout the litigation. *See MarcTec, LLC v. Johnson & Johnson*, 664 F.3d 907, 915–19 (Fed. Cir. 2012). Thus, when information gleaned from discovery or the court’s rulings make clear that the continued pursuit of litigation is frivolous or vexatious, fees may be warranted even where the filing of the initial complaint was arguably justified. *See id.*

SK contends that Synthes brought objectively baseless allegations of infringement and validity and continued to push those claims in the face of facts and claim construction rulings that made clear that Synthes’ claims were unsupportable. SK alleges that Synthes engaged in litigation misconduct by taking a number of baseless positions on everything from its claim construction arguments to its damages theory. SK contends that the district court’s view of Synthes’ conduct was too myopic, failing to examine the propriety of its conduct as a whole. After an independent review of the record—in its entirety—we agree with the district court that SK failed to demonstrate with clear and convincing evidence that it is entitled to attorney fees under § 285. *See Synthes*, ECF No. 577 (N.D. Cal. Sept. 27, 2012).

III. CONCLUSION

Based on the foregoing, we affirm the district court’s denial of JMOL that claims 29–31 of the ’270 patent are invalid under 35 U.S.C. § 112, paragraph 1 for lacking an adequate disclosure to support the “plurality of openings” limitation. We also affirm the district court’s denial of SK’s request for attorneys’ fees under 35 U.S.C. § 285. Accordingly, we need not reach the other issues addressed by the district court and addressed by the parties in the briefing before this court.

AFFIRMED

United States Court of Appeals for the Federal Circuit

**SYNTHES USA, LLC (formerly known as Synthes
(U.S.A.)) AND DEPUY SYNTHES PRODUCTS, LLC,**
Plaintiffs-Appellants,

v.

SPINAL KINETICS, INC.,
Defendant-Cross Appellant.

2013-1047, -1059

Appeals from the United States District Court for the
Northern District of California in No. 09-CV-1201, Senior
Judge Ronald M. Whyte.

TARANTO, *Circuit Judge*, dissenting.

In my view, Spinal Kinetics failed as a matter of law to show, by clear and convincing evidence, that asserted claims 29-31 of Patent No. 7,429,270 are invalid for inadequacy of the written description. In particular, Spinal Kinetics offered no clear and convincing proof that the difference between the “openings” of the claims and the grooves of the written description is one that (in the eyes of skilled artisans) has any effect, let alone an effect that is difficult to predict, on fulfillment of the identified purposes of the claims at issue. Nor is there any basis for finding the written description inadequate to support the “flexible core” limitation (or one other limitation for which

the district court itself rejected Spinal Kinetics's written-description challenge). I therefore respectfully dissent from the majority's affirmance of the judgment that the patent claims are invalid.

Regarding the judgment of noninfringement, which must be addressed if the invalidity judgment is reversed, I conclude that the district court relied on an erroneous construction of the claim term "fiber system." That error cannot be disregarded as one we can be confident had no effect on the verdict of noninfringement, for the usual simple reasons. The jury did not specify that it found noninfringement on a basis other than the incorrectly construed limitation; there is ample (perhaps conclusive) evidence that this limitation is met under the proper construction; and there is sufficient evidence to have allowed the jury to find that the other limitations are met. The jury verdict of noninfringement therefore must be vacated. Accordingly, I would remand the case for a determination, presumably through a new trial, of whether the accused products infringe under the proper claim construction.

I

A

The written-description challenge in this case is to structural claim language that is broader than the specific embodiments disclosed in the written description. This is not a case—such as some cases involving genetic or chemical inventions—in which the claim language at issue is functional rather than an identifier of structure. *See, e.g., Ariad Pharmaceuticals, Inc. v. Eli Lilly & Co.*, 598 F.3d 1336, 1349-50 (Fed. Cir. 2010); *Regents of University of California v. Eli Lilly & Co.*, 119 F.3d 1559, 1568 (Fed. Cir. 1997). Nor is it a case in which the claim language includes details that do not appear in the written description. *See, e.g., Purdue Pharma L.P. v. Faulding Inc.*, 230 F.3d 1320, 1327 (Fed. Cir. 2000). The written-description

question here is the familiar one involving whether the claim language is simply too broad given the disclosure— notwithstanding that claim language may be and commonly is broader than described embodiments, as it identifies what aspects of the disclosed embodiments matter. See *In re Rasmussen*, 650 F.2d 1212, 1215 (CCPA 1981) (“[T]hat a claim may be broader than the specific embodiment disclosed in a specification is in itself of no moment.”); Ronald Slusky, *Invention Analysis and Claiming: A Patent Lawyer’s Guide* at 32-33 (2007) (discussing claim drafting process of identifying what features of embodiment matter).

In a case like this one, the written-description requirement must focus on whether the way in which the (broader) claim term differs from the (narrower) disclosure is pertinent to fulfilling the identified purposes of the claims at issue. More specifically, for a challenger to prove insufficiency of the written description to support the claim language, the challenger must identify the respect in which the claim language differs from the disclosed embodiments. At a minimum, the challenger must then demonstrate that, in the eyes of a relevant skilled artisan, that particular difference has a material effect on whether the product or process would achieve the aims of the claims at issue, with materiality of the effect not the same as non-obviousness but related to predictability (this case requiring no further definition of that relation). See *Ariad*, 598 F.3d at 1351, 1352; *Bilstad v. Wakalopoulos*, 386 F.3d 1116, 1124-25 (Fed. Cir. 2004) (inquiry into whether skilled artisans “would not readily discern that other members of the genus would perform similarly to the disclosed members, *i.e.*, if the art is unpredictable”); *In re Curtis*, 354 F.3d 1347, 1355, 1358 (Fed. Cir. 2004) (inquiry into whether skilled artisan “could not predict the operability in the invention of any species other than the one disclosed”; focus on “unpredictability in performance”); *Rasmussen*, 650 F.2d at 1215

(inquiry into whether difference from described embodiment is “unimportant” to operability).¹

It is commonly true, of course, that a skilled artisan has to make some judgments when seeking to implement the patent, whether it is the described embodiments or an undescribed embodiment of the broader claim that the artisan is proceeding to make and use. If those judgments are sufficiently unguided by the written description, unknown to a skilled artisan, or uncertain (requiring undue experimentation), at least an enablement problem may arise—though there is no enablement challenge here. What is critical for present written-description purposes is this: if there is materially the same range of implementation judgments for the described embodiments and the broader claim—such as, here, how many openings/grooves to have, their shape, how close to the center and far from the periphery they would locate the fibers passing through—the need for such judgments is irrelevant to the written-description question. What matters is only the particular difference between the narrower embodiments and broader claims.

Recognizing the burden of proof carried by the challenger, this approach implements the *Ariad* formulations: whether the inventor “possessed the claimed invention,” or “actually invented the invention claimed.” 598 F.3d at 1351, 1355-56. If the challenger does not make the showing identified above, the relevant skilled artisan will understand that, by expressly describing certain embodi-

¹ A patent’s written description may describe more than one purpose or problem to be solved, and a particular claim may not address all of them. *See, e.g., Phillips v. AWH Corp.*, 415 F.3d 1303, 1327 (Fed. Cir. 2005) (en banc). The written-description analysis of a particular claim must focus on the purposes and problems relevant to that particular claim.

ments, the inventor possessed the more broadly claimed invention, because the differences are immaterial to what the inventor invented. *See In re Peters*, 723 F.2d 891, 893 (CCPA 1983) (reversing claim rejections that were based on a difference between the broader claim terms and the narrower disclosure, because “[m]ost importantly, one skilled in the art would readily understand that in practicing the invention [the difference] is unimportant”). If the challenger has made the identified showing, the relevant skilled artisan will understand that the inventor had not (based on the disclosure) addressed issues of consequence to fulfilling the invention’s purpose, and so did not possess in full the broadly claimed invention. *See Ariad*, 598 F.3d at 1353 (“Requiring a written description of the invention limits patent protection to those who actually perform the difficult work of ‘invention’—that is, conceive of the complete and final invention with all its claimed limitations.”).

At the same time, this approach aligns with a critical role of the written-description requirement in a case involving a question of breadth. In such a case, the requirement serves to prevent an inventor from acquiring exclusivity rights over potential products or processes that present problems in achieving the invention’s aims that he or she has not solved. *See Fiers v. Revel*, 984 F.2d 1164, 1171 (Fed. Cir. 1993) (“attempt[s] to preempt the future before it has arrived” are “not in compliance with the description requirement”). It thus confines patents to the problems the inventor solved and leaves to other people the solutions they identify that the inventor did not.

B

In this case, Spinal Kinetics failed to present the proof required to show an insufficient written description. The difference between the claimed “openings” and the disclosed “grooves” is simply that, for a groove, the space

remains open at the perimeter whereas, for an “opening,” it need not be: “opening” covers slots wholly *interior* to the outer boundary of the plate. But Spinal Kinetics did not prove that that difference—potential closure at the perimeter—had any effect on the ability of the invented implants to fulfill their purpose.

The evident role of the grooves is to prevent sideways movement of the fibers, along the perimeter of the plate, as they hold the components of the implant together. See '270 patent at col. 3, lines 27-30 (“By guiding the fibres in the grooves the fibre system *can be so anchored on the cover plates*, that in the case of tensile forces acting on the fibres *no slipping of the fibres on the lateral sides is possible.*”) (emphasis added). Nothing in Spinal Kinetics’s proof showed that closing the space at the perimeter affects that function (let alone in an unpredictable way). More generally, nothing in Spinal Kinetics’s proof showed that the difference between grooves and interior openings was material to the working of the claimed device. The two witnesses on which Spinal Kinetics relies for its written-description challenge are its expert, Dr. Lee, and its Research and Development Manager, Mr. Koske. Neither they, nor the documents on which they relied, showed (by clear and convincing evidence) how the way in which “openings” differ from “grooves” makes any material difference to the working of the claimed device.

Dr. Lee’s key testimony was his statement that “the stress or strain on the fibers” is affected by whether the fibers pass through the plate near the center or near the perimeter. See J.A. 20853 (Tr. 2456:11-2458:11). But, decisively, the distance from the center (or perimeter) is not the respect in which “openings” differ from “grooves.” Whether the space at the perimeter remains open (as with grooves) or closed (as with openings) plays no role in determining how far from (or near to) the center the fibers pass through the plate: if a groove extends deep toward the center, the fibers will pass through the plate there,

just as they will if openings are placed at that location. Dr. Lee's testimony, not addressing the difference between openings and grooves, is irrelevant to the analysis.

Nothing else Dr. Lee said makes up for the irrelevance of the foregoing testimony. He testified that he could not find the word "openings" in the specification, *see* Joint App. 20852 (Tr. 2453:1-13), but that is itself of no importance: the written-description requirement is about support in substance, not about labels. *Kao Corp. v. Unilever U.S., Inc.*, 441 F.3d 963, 967–68 (Fed. Cir. 2006). Dr. Lee also stated that there was a "significant difference . . . in biomechanical properties" between the broader claim term and the narrower disclosure. *See* Joint App. 20853 (Tr. 2456:11-2458:11). But without the eventual identification of what difference in properties he meant, that sentence is entirely a conclusory opinion, which is insufficient to meet a burden of proving facts by clear and convincing evidence. *See, e.g., Active Video Networks, Inc. v. Verizon Comm'ns, Inc.*, 694 F.3d 1312, 1327, 1330-31 (Fed. Cir. 2012); *Krippelz v. Ford Motor Co.*, 667 F.3d 1261, 1269 (Fed. Cir. 2012); *Ashland Oil, Inc. v. Delta Resins & Refractories, Inc.*, 776 F.2d 281, 294 (Fed. Cir. 1985). It was only the distance-from-center testimony discussed just above that gave any concrete factual content to the otherwise-conclusory assertion, but that basis, as shown, is irrelevant to the required analysis.

Mr. Koske likewise did not present the required proof, either through his testimony or through the exhibits about which he testified. That evidence established that, at one point, Spinal Kinetics had one or more prototypes with grooves (and many other features) and that it eventually settled on a design that had interior openings (and many other features). But nowhere did Mr. Koske testify, and nowhere do the exhibits show, that the earlier prototypes were rejected because they had grooves as opposed to interior openings or that the Spinal Kinetics product-development process focused on that difference. *See* J.A.

20757–78 (Tr. 2076:21–2081:13). The evidence identifies “technical hurdles” involving whether to use fibers or adhesive to anchor the fiber system to the cover plates, *see* J.A. 20736 (Tr. 1991:15-1993:3), and concerns about what shape the interior openings should be to preserve disc strength, J.A. 20737 (Tr. 1996:10-1997:12), but none of the evidence addresses the differences between grooves and interior openings in relation to those or any other issues. In none of the testimony of Mr. Koske or the documents cited by Spinal Kinetics, Brief for Appellee at 51-52, or the evidence cited by the majority opinion (at 15-16) is there any indication about how much if any experimentation or study Spinal Kinetics did to choose between interior openings and grooves or about any material challenges encountered when considering use of interior openings versus grooves (there can be a plurality of either, and each can cause the fiber location to be almost anywhere in the plate). In my view, this is not clear and convincing evidence.

Spinal Kinetics thus failed to establish the importance of the openings/grooves difference. And that conclusion is reinforced indirectly by the patent itself—specifically, by the fact that the written description is not actually limited to using grooves for the fibers. The majority states that the specification “discloses a series of examples of how the fiber system may be anchored on the cover plates” and that “[a]ll of these examples employ ‘grooves,’ not slots or openings on the plates.” Maj. Op. at 13. But the specification, while reciting grooves in some of the examples it gives for how “anchoring of the fibres on the cover plates can be carried out,” includes other examples that are described without any mention of grooves at all. ’270 patent at col. 3, lines 22-62. One separately stated example simply calls for “adhering the fibre system on the cover plates,” while another calls for join the plates “in a form-locking manner.” *Id.* at lines 35

& 42-44. Thus, grooves are not part of all of the anchoring embodiments disclosed in the '270 patent.

C

The jury verdict of insufficient written description for the claim at issue cannot be supported on any other ground. On appeal, Spinal Kinetics argues that substantial evidence supports finding that two other claim limitations—“substantially rigid bone contacting plate” and “flexible core”—lack adequate written-description support. The district court rejected the first contention but accepted the second. Both contentions are meritless.

Spinal Kinetics did not prove that the specification, which discloses “closing plates” that “are made from titanium or a titanium alloy,” ’270 patent, col. 6, lines 4-5, fails to adequately describe the claimed “substantially rigid bone contacting plate.” The cover plates, as stated in the specification, are “anchor[ed to] the fibre system” in order to ensure “the intervertebral implant remains stable even under the greatest loads and the fibre system is capable to withstand even considerable tensile forces.” ’270 patent, col. 2, lines 35-37.

Spinal Kinetics argues that the written description is inadequate because nowhere but the claims does the specification use the terms “rigid” or “substantially rigid.” But the “disclosure as originally filed does not . . . have to provide in haec verba support for the claimed subject matter at issue,” *Cordis Corp. v. Medtronic AVE, Inc.*, 339 F.3d 1352, 1364 (Fed. Cir. 2003), and Spinal Kinetics failed to present any evidence, much less clear and convincing evidence, either (1) that the titanium closing plates described by the specification and depicted in Figures 3 and 4 were not “substantially rigid” or (2) that a skilled artisan, reading the description of the properties and functions of the closing plates (*i.e.*, titanium closing plates used to stabilize the intervertebral implant), would not reliably predict that “substantially rigid” closing

plates achieve the desired properties of the claimed device. See *In re Smythe*, 480 F.2d 1376, 1383 (CCPA 1973) (“[T]he specification clearly conveys to one skilled in the art that in this invention the characteristics of a fluid are what make the segmentizing medium work in this invention.”).

For the “flexible core” limitation, Spinal Kinetics rests its challenge on the claim term’s purported incompatibility with the disclosure of “an elastically deformable formed body . . . with an incompressible core, preferably a liquid core.” ’270 patent, col. 5, lines 15-17. This argument, though the district court accepted it, is plainly incorrect. An “incompressible core” is in no way irreconcilable with a “flexible core.” Incompressible and flexible simply do not conflict: a squeezed balloon that readily deforms while maintaining a constant volume is simultaneously flexible and incompressible. Thus, the jury could not have reasonably concluded that, because the patent specifically discloses an “incompressible core,” the invention could not also include a “flexible” core.

Accordingly, I conclude that there has been no clear and convincing evidence that the written description inadequately describes the claimed inventions. I would reverse the district court’s denial of judgment as a matter of law that Spinal Kinetics failed to prove invalidity.

II

As to the judgment of noninfringement, I conclude that it relies on an incorrect construction of the claim term “fiber system.” The error could well have been the basis for the jury verdict, which therefore must be vacated. The case should be remanded for further proceedings on whether the accused products infringe under the proper claim construction.

The district court construed “fiber system” as “a collection of fiber strands joined to the third and fourth

plates and capable of absorbing tensile forces and constraining radial expansion of the flexible core.” *Synthes USA, LLC v. Spinal Kinetics, Inc.*, No. C-09-01201, 2010 WL 2573379, at *7 (N.D. Cal. June 23, 2010). That importation of functional requirements is incorrect, because the term “fiber system” is entirely a structural one. “Where a claim uses clear structural language, it is generally improper to interpret it as having functional requirements.” *Schwing GmbH v. Putzmeister Aktiengesellschaft*, 305 F.3d 1318, 1324 (Fed. Cir. 2002); accord *Toro Co. v. White Consol. Indus., Inc.*, 266 F.3d 1367, 1371 (Fed. Cir. 2001) (“An invention claimed in purely structural terms generally resists functional limitation.”). Spinal Kinetics offers no convincing reason to deviate from the general rule in this case.

Spinal Kinetics notes (correctly) that the specification ascribes functions to the “fiber system,” including to constrain the radial expansion of the core that it surrounds, *see, e.g.*, ’270 patent, col. 1, lines 26-34, but that is not a reason to add those functions to the simple, clear “fiber system” of the claim. Where the claim’s structural definition of a term leaves ambiguities, such as an unaddressed question of degree, this court has said that “it is ‘entirely proper to consider the functions of an invention in seeking to determine the meaning of particular claim language.’” *ICU Med., Inc. v. Alaris Med. Sys., Inc.*, 558 F.3d 1368, 1375 (Fed. Cir. 2009) (quoting *Medrad, Inc. v. MRI Devices Corp.*, 401 F.3d 1313, 1319 (Fed. Cir. 2005)). No such ambiguity exists here. Claim 29 requires that the “fiber system” (1) “at least partially surround[] the core,” (2) “is at least partially received within the plurality of openings formed in the third and fourth plates so that the fiber system is joined to the third and fourth plates,” and (3) is “at least partially surround[ed]” by “an elastic sheathing body.” ’270 patent, col. 8, lines 41-47. Spinal Kinetics points to no open questions for which the claim itself “does not suggest” an answer. *See ICU Med.*,

558 F.3d at 1375-76. The term “a fiber system” is a straightforward structural limitation that needs no further construction, much less the addition of functional qualifiers. See *O2 Micro Int’l Ltd. v. Beyond Innovation Tech. Co., Ltd.*, 521 F.3d 1351, 1362 (Fed. Cir. 2008).

Because the jury was given a flawed claim construction, and there was no separate jury finding of noninfringement on another ground and the jury could easily have found the “fiber system” element satisfied under the correct construction, the verdict of noninfringement must be vacated. See *August Tech. Corp. v. Camtek, Ltd.*, 655 F.3d 1278, 1286 (Fed. Cir. 2011). At the same time, Synthes has not shown that it is entitled to judgment of infringement, *i.e.*, that no jury could now reasonably find noninfringement, considering all of the claim limitations at issue, under proper instructions.

Therefore, the judgment of noninfringement should be vacated and the case remanded to the district court. I would not further constrain the district court’s discretion about how to proceed on remand, including what might be decided on new summary judgment motions and whether to reconsider any evidentiary rulings that might be seen in a different light in any new trial. And, regarding the cross-appeal filed by Spinal Kinetics to challenge the district court’s denial of its motion for attorney’s fees, it suffices to say that my view of Synthes’s appeal would mean that Spinal Kinetics would no longer meet even the threshold condition of being a prevailing party.